



# SIT TOGETHER™

DESIGNED FURNITURE



This catalogue is made for general information purposes only.

Dimensions have to be considered merely indicative. Finished products colours may differ from the ones reproduced on this catalogue because of the printing process. Due to the constant development of our products, we reserve the right to apply changes to both specifications and design, or to remove models at any time, without warning obligation.

Please contact our sales department before ordering.



# Index

<b>Let's sit together</b>	
Introduction, Team	4
<b>Let's produce together</b>	6
<b>Let's create together</b>	
Mirka metal	8
Mirka Tondino	14
<b>Let's colour together</b>	16
Benches	18
Mirka Nature	20
<b>Let's work together</b>	
Line Metal	24
Line Nature	28
Nido	30
Prima	32
Kirsty	34
<b>Let's design together</b>	
Camilla	36
Katarina	38
<b>Let's be nostalgic together</b>	
Student	40
Let's sit straight together	44
<b>Let's play together</b>	46
Let's dine together	48
<b>Let's develop together</b>	50
<b>Let's finish together</b>	
Tubes, Wood colours, Regenerated leather	52
Fabric	54
HPL	55
<b>Let's do business together</b>	56

# Let's sit together

It doesn't matter for as long we're together. In other words: I'm proud of my dedicated team of co-workers. We are a compact team and that means fast communication lines that saves time and money - also for you. We think out of the box with a result of huge global potential. If it's up to us, we go straight ahead in to the universe - again with you.

To us, B2B means getting better sales results together. Our goal is keeping you more than satisfied so that you are willing to come back time after time.

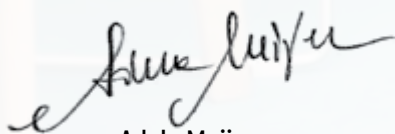
With more than a decade of experience, we work closely together with architects, designers, project managers, distributors, agents and anyone else who needs reliably-designed commercial furniture worldwide. We are based in Italy, a country well-known for its top-notch design.

Regarding the people you see in front of you. Each of them have their own professional skills - from planning to constructing, from organizing to after-sales. We can count on each other and you will notice this when working with us.

Our mission statement is not just to keep you satisfied with our latest innovations. Or to give you best value for money. Or to be flexible all the time. That are facts that you can rely on. No, it's more. Let's bring it back to the basics that it's all about: SitTogether is all of us together - for the better and forever!

Like tables and chairs go great together.

Sincerely yours,



**Adela Meijer**  
SitTogether.  
Designed furniture.





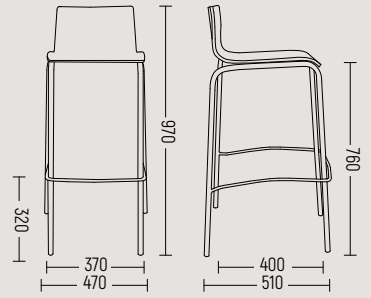
# Let's produce together



From the beginning to the end of the production process, we are always spot on when it comes to quality control. Whatever the size of your order: every chair or table simply has to be perfect when you receive them.



# LET'S CREATE TOGETHER



## Mirka barstool

Metal frame Ø20mm vitange  
Shell upholstered



### True love story.

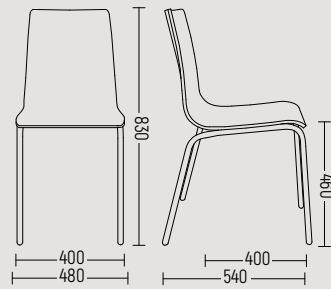
Where exactly does the brand name Mirka come from? Well, one of our most successful designers named this chair after the girl he was in love with. Yes, her name was Mirka. Then Mirka became our most versatile chair. We can produce this evergreen from any kind of material, finish or colour. Suitable for waiting rooms, canteen restaurants and cafes.

There's a big chance that you will fall in love with Mirka as well.

**Please note:** the Mirka is a perfect match with our strong and robust quality tables.



# Mirka Metal

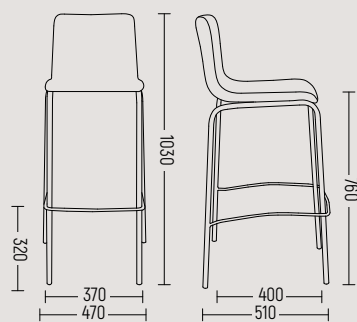


## Mirka chair

Metal frame Ø20mm vintage

Shell upholstered with cross stitching

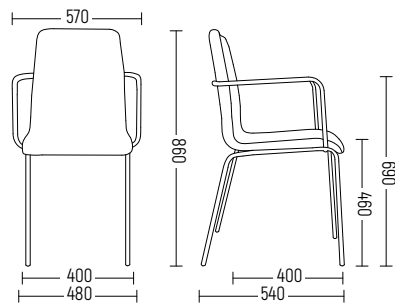
# Mirka Metal



## Mirka barstool

Chromed metal frame  $\varnothing 20\text{mm}$   
Shell laminated





**Mirka chair**

Chromed metal frame Ø16mm  
Shell and armpad upholstered



**Mirka chair**  
Metal frame Ø20mm  
with copper finish  
Shell laminated



**Mirka chair**

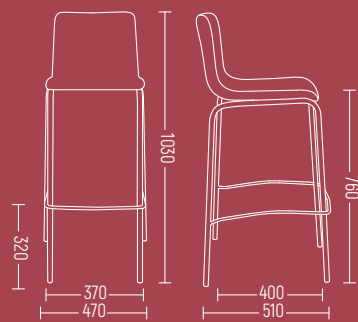
Metal frame 15x15mm coated white  
Shell upholstered

**Robusto table**

Top 800x800mm solid oak  
Metal frame 40x40 coated white

# Mirka Metal





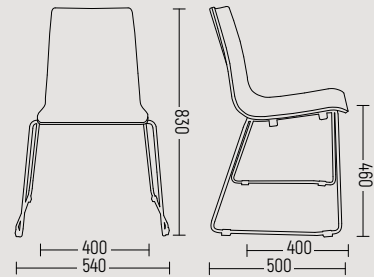
**Mirka barstool**

Metal frame Ø20mm vitange  
Shell upholstered

**Robusto bartable**

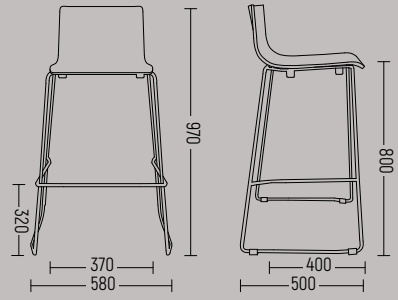
Top 14000x800mm solid oak  
metal frame 40x40 mm vitange

# Mirka Tondino



## **Mirka tondino chair**

Chromed metal rod  
frame  $\varnothing$ 12mm  
Shell upholstered with  
regenerated leather

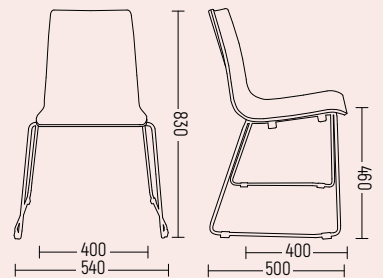


### **Mirka barstool**

Chromed metal rod frame Ø12mm  
Shell upholstered with regenerated leather



# LET'S COLOUR TOGETHER



## **Mirka tondino chair**

Metal rod frame Ø12mm  
coated shiny red  
Shell laminated



# Mirka Tondino

Sometimes we are more beautiful than the rainbow. Our frames and shells can be lacquered in any RAL colour you want. Is that all? No, on top of that the shells can be finished with a laminate top layer available in more than 250 colour designs.

Pick your favourite colour with your client.



**Mirka tondino chair**

Metal rod frame Ø12mm  
coated black  
Shell laminated



**Mirka tondino chair**

Metal rod frame Ø12mm  
coated shiny blue  
Shell laminated



**Mirka tondino chair**

Metal rod frame Ø12mm  
coated shiny green  
Shell laminated

# WAITING TO WAS NEVER

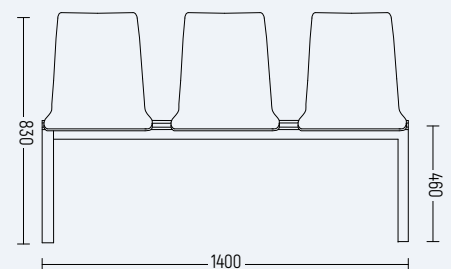
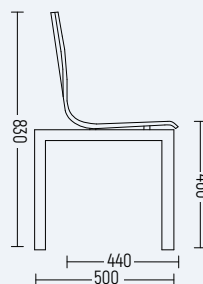
## Benches

Choose for the flexibility of the Mirka 2- 3- 4- or 5- seat bench with comfortable seat pads or for the -it fits everywhere- Apolon bench. You just can't go wrong with both ones.



### Mirka 3-seat

Metal frame 40x40 mm  
coated black  
Shell laminated with seat pad

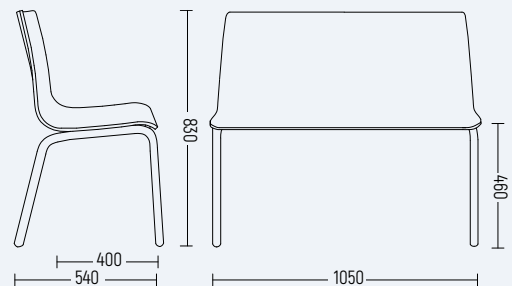


# GETHER SO RELAXED

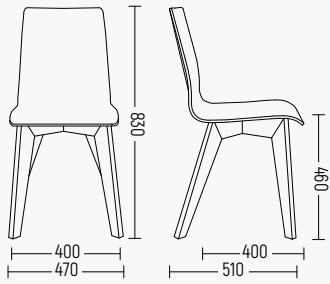
19  
18



**Apolon bench**  
Chromed metal frame  
Ø30mm, shell beech  
stained wenge



# Mirka Nature



## Mirka Nature chair

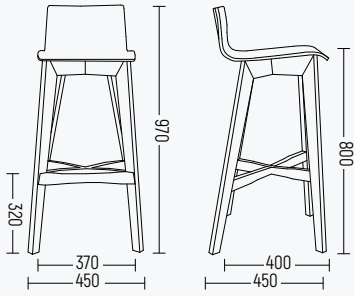
Beech frame stained walnut  
Shell upholstered with buttons



## Mirka Nature chair

Oak frame  
Shell back oak, front upholstered

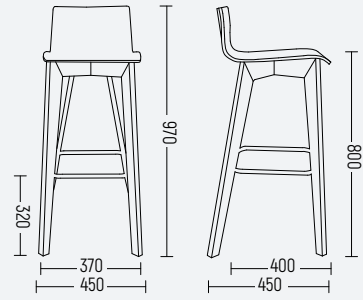




**Mirka Nature barstool 2**  
Oak frame with wooden footrest  
Shell oak natural



# Mirka Nature

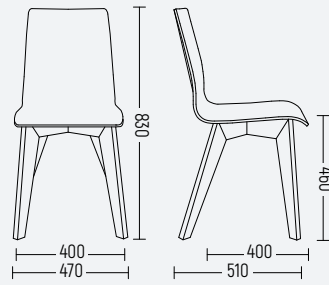


## **Mirka Nature barstool 1**

Beech frame stained wenge  
with chromed metal footrest  
Shell upholstered

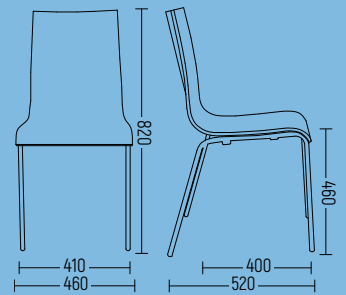


**Mirka Nature chair**  
Beech frame stained wenge  
Shell upholstered



**Mirka Nature chair**  
Oak frame  
Shell upholstered

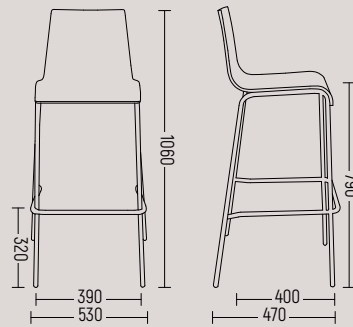
# LET'S WORK TOGETHER



**Line chair**  
Chromed metal frame Ø16mm  
Shell beech stained wenge



# Line metal



## Line barstool

Chromed metal frame  $\varnothing$ 16mm  
Shell laminated

25  
24

Our LINE collection is something special because it's designed to make any office to look modern and elegant.

### Good to know:

The shape of the shell has an implemented ergonomic design. Our LINE is available in the same outstanding finishes as the Mirka.



# Line metal - linked





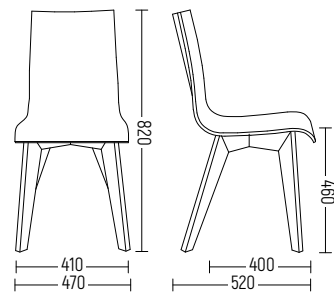
**Line chair**

Chromed metal frame Ø16mm

Shell laminated

With linking device

# Line Nature

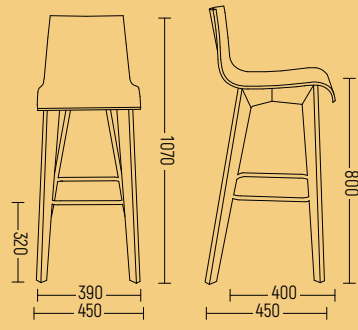


## **Line Nature chair**

Beech frame stained walnut

Shell upholstered



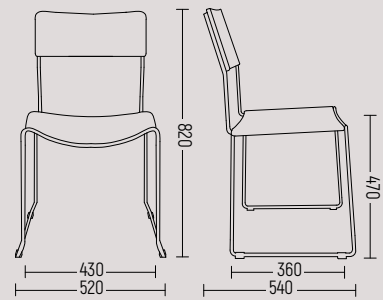


**Line Nature barstool**  
Oak frame with metal footrest  
Shell laminated



# Nido

Conference evergreen chair



## Nido chair

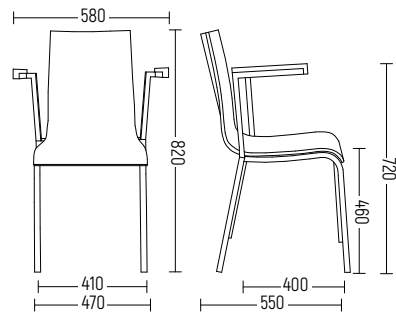
Chromed metal rod frame Ø12mm

Seat upholstered

Back beech stained wenge



# Prima



## Prima armchair

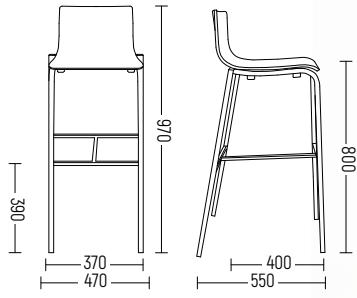
Chromed metal frame 20x20mm

Armrest oak stained wenge

Shell upholstered

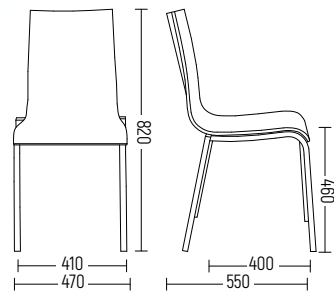






**Prima barstool**

Metal frame 20x20mm coated silver  
Shell laminated

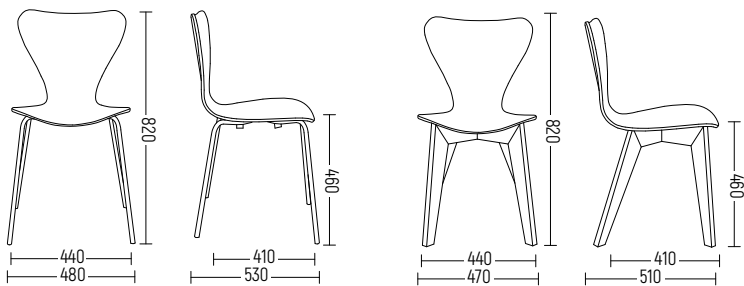


**Prima chair**

Metal frame 20x20mm vintage  
Shell laminated



# Kristy



## Kristy chair

Chromed metal frame  $\varnothing$ 16mm  
Shell laminated

Oak frame  
Shell lacquered



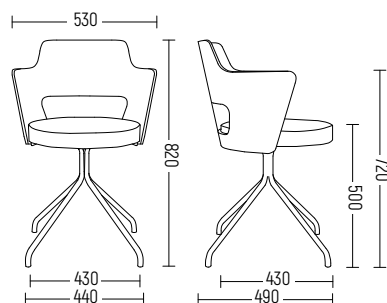
# LET'S DESIGN TOGET- HER

Look at this beauty. The Camilla is a timeless armchair designed by Daniel Rode. Most suitable for meeting/waiting rooms, restaurants and hotels.





# Camilla



## **Camilla armchair**

Chromed metal frame Ø20mm

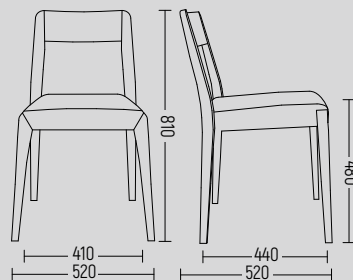
Back and armrest beech stained wenge

Seat upholstered

*Designed by Daniel Rode*

# Katarina

Katarina is our favourite because of her stackable function and is the best choice if you have clients working in the hospitality sector.



## **Katarina chair**

Beech frame and back lacquered

Seat upholstered



**Katarina chair**  
Beech frame and back lacquered  
Seat upholstered



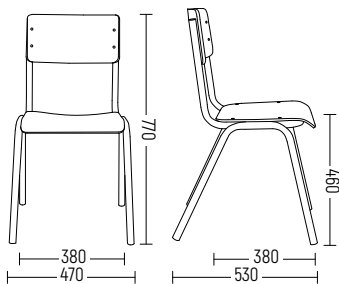
# LET'S BE NOSTALGIC TOGETHER

Good times are back again with this well-known classic. Due to the exceptional quality finish and upholstery, this is still distinctive and exceptionally welcome in any vintage interior. The details are breathless like those wooden frame tops. Relive this new-look vintage chair.





# Student



## Student chair

Metal frame Ø25mm coated green  
Seat and back oak natural

# C



## Student chair

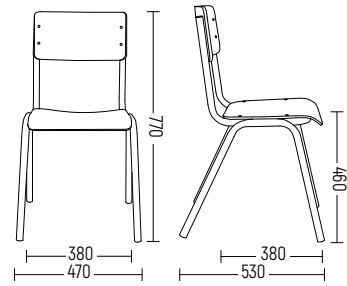
Metal frame Ø25mm coated black  
Seat and back oak natural

## Robusto table

Top 800x800mm solid oak  
metal frame 40x40 mm vintage



# Student

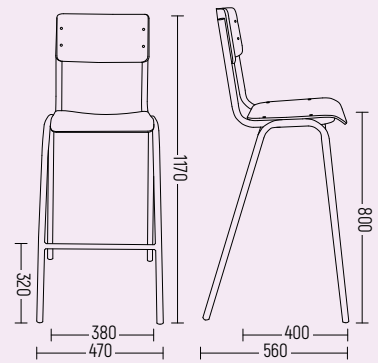


## Student chair

Metal frame  $\varnothing$ 25mm vintage  
Seat and back oak natural



43  
42



### Student barstool

Metal frame Ø25mm vintage

Seat and back upholstered with button

# LET'S SIT STRAIGHT TOGETHER

A no-nonsense stool. Strong. Metal high ones and wooden lows. For situations where people want or need sit 'high'. Bars, restaurants, canteens... you name it, we have it in stock for you.

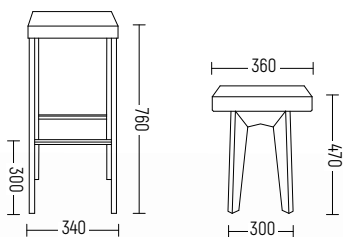
## **Nano stool**

Oak frame

Seat upholstered with piping



# Stools



## Alan Barstool

Metal frame 20x20mm coated silver / vintage  
Seat massive oak 40mm thick



# LET'S PLAY TOGETHER

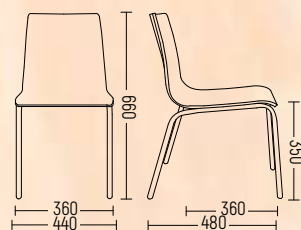


Here is the kids' area. Dedicated to all those little ones who want to play safe and happy. Pure wood and metal! More good news: The Mirka, Bunny and Kristy chairs are all available with lower seat-heights for schools and kindergartens.



# Kids

**Mirka and Bunny baby**  
Chromed metal frame Ø16mm  
Shell beech stained in several  
colours



# LET'S DINE TOGETHER

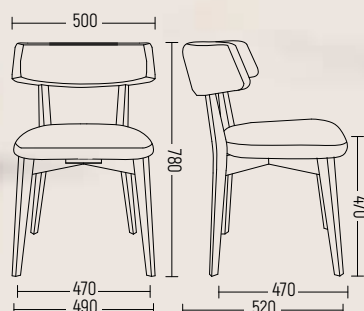
The question is often how to dine cozy. The right answer is here. Look at these two true classic ones. Bon appétit.



Sofia

## Sofia chair

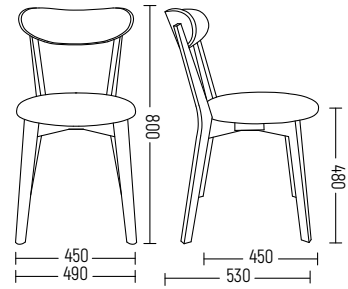
Oak frame  
Seat and back upholstered







# Inge



**Inge chair**  
Oak frame and back  
Seat upholstered

A man and a woman in business attire are sitting at a table, looking at a laptop screen. The man is wearing a light blue shirt and a striped tie, and the woman is wearing a dark blue blazer. They appear to be in a meeting or collaborative work environment.

# LET'S DEVELOP TOGETHER

Do you want exclusivity to implement your projects? No problem. Here is our solution: the engineering team from SitTogether develops custom-made furniture for or with the customer. Due to our versatile production line, we can produce almost every potential piece of furniture. From a first 3D model, we make a prototype, then we test it and finally we put it into production. Let's sit together for any detail in the whole process.



# LET'S FINISH TOGETHER

All our metal and wooden frames, shells, seats and backs are available in almost every variety that you can imagine. You just mention it and we deliver it. Otherwise we invent it. Count on it.

## Outstanding finishes.

### Metal frames

Available dimensions of the tube depends on the model.

All metal frames for chairs and stools are available:

- chromed
- chromed satinato
- powder coated black/white/silver
- powder coated in a RAL colour \*
- shiny copper

### Wooden frames

The wooden frames are available in:

- beech, oak or walnut natural
- stained wood colour
- stained RAL colour \*
- lacquered black or white
- lacquered RAL colour \*

### Under shell / seat and back

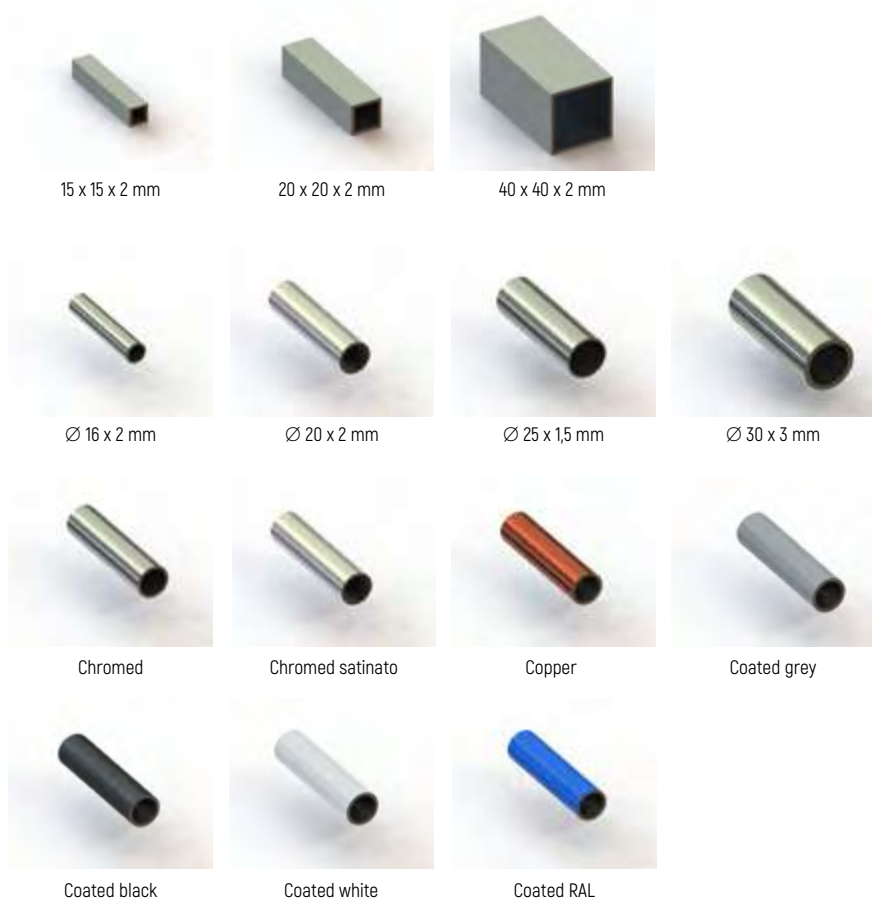
Produced from beech wood veneer with thickness of 10 mm.

All shells and seats + backs available in the finish

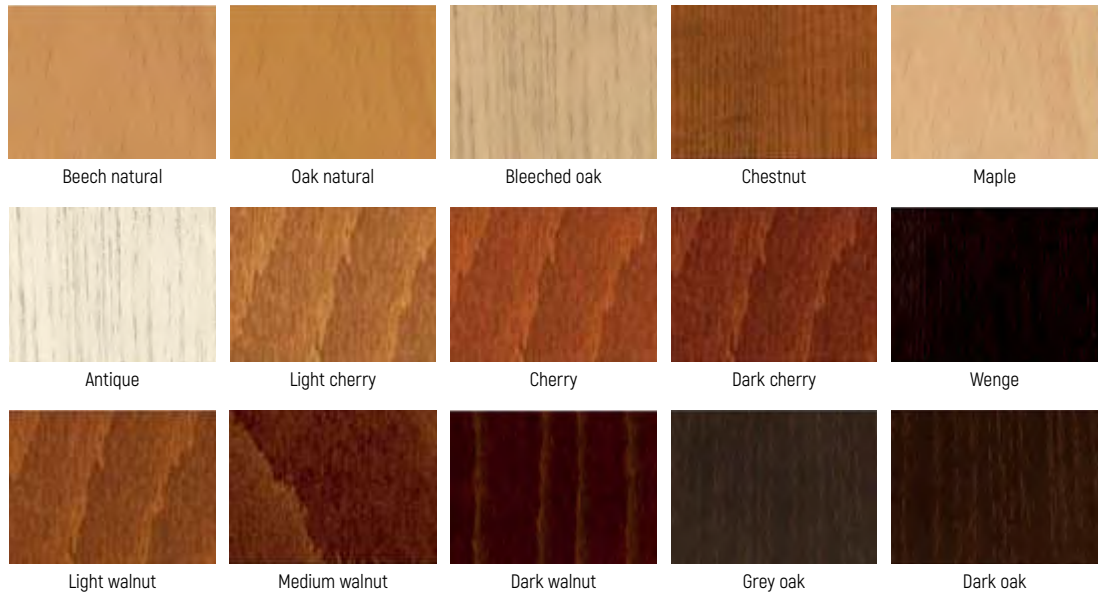
- beech or oak natural
- stained wood colour
- stained RAL colour \*
- lacquered black or white
- lacquered RAL colour \*
- upholster with 1 cm of foam
- upholster with 4 cm of foam
- special upholstery: horizontal lines, cross stitching, buttons
- Arpa laminate (HPL) \*

\* Minimum order quantity applicable.

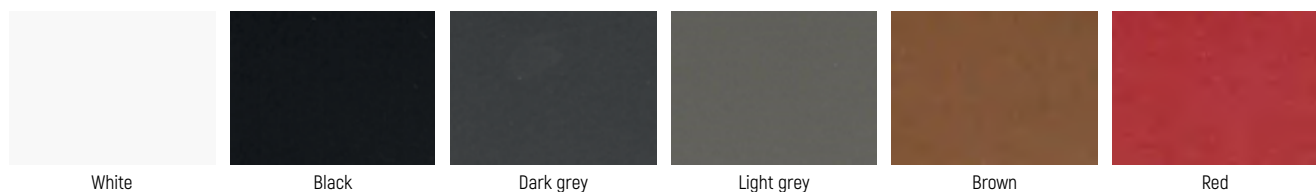
## Tubes dimensions.



## Wood colours



## Regenerated leather



# Fabrics

## Nord Wool

composition 70% WO - 30% PES  
weight 345 ± 4% g/m<sup>2</sup>  
resistance to abrasion - martindale 100.000 cycle



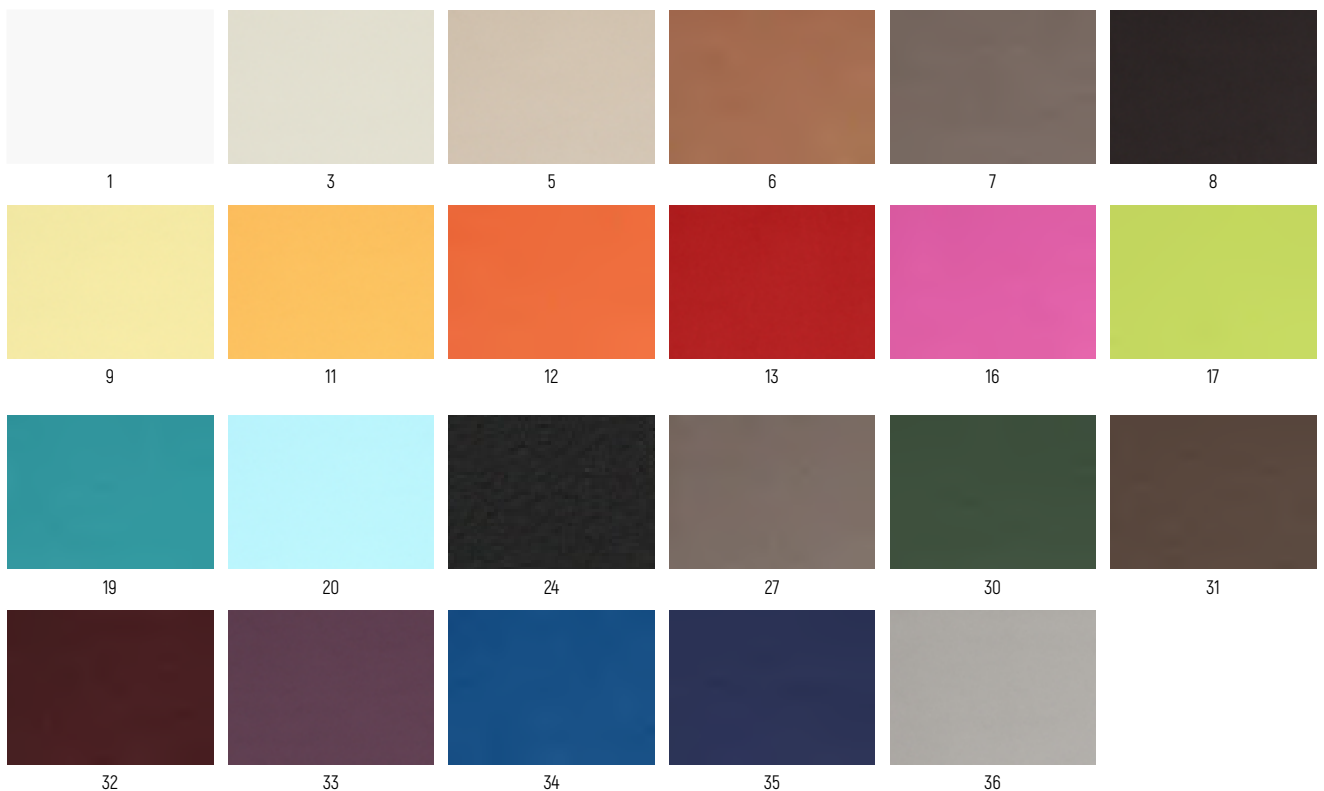
## Appeal

composition 100% PP  
weight 260 g/m<sup>2</sup>  
resistance to abrasion - martindale 25.000 cycle



## Skill

composition 9% PVC - 20% PES 10% - COT - 1% PU  
weight 520g/m<sup>2</sup>  
resistance to abrasion - martindale 50.000 cycle



**Crazy**

composition

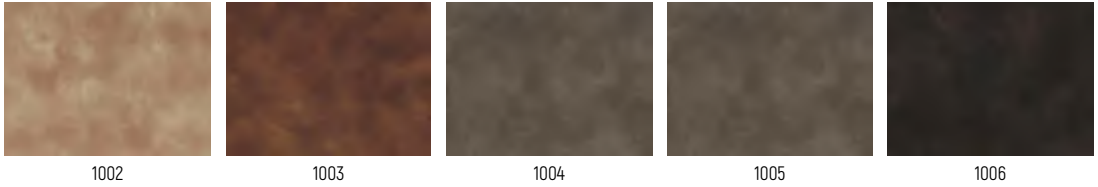
80% PVC - 2% PU - 18% PES

weight

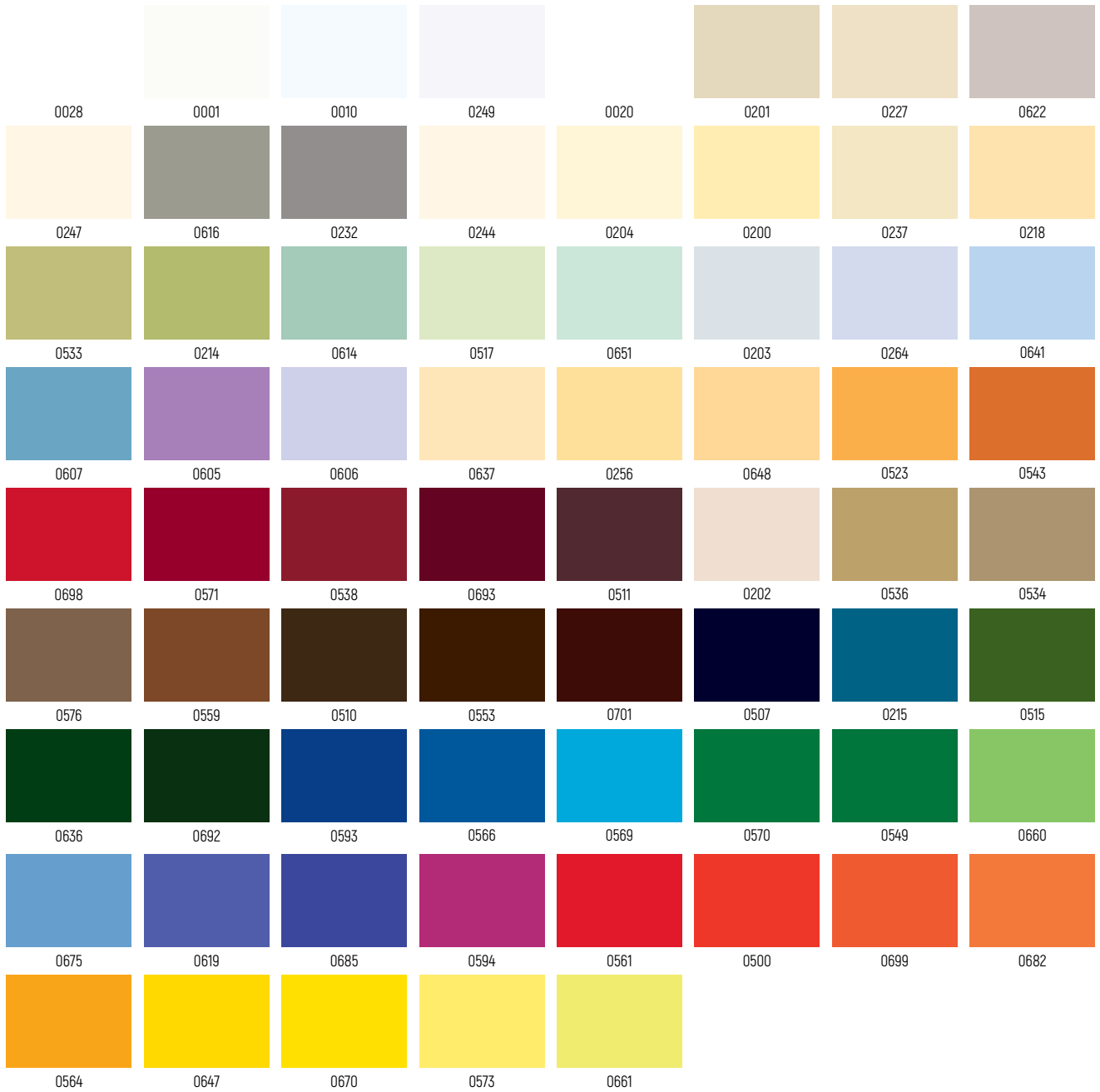
600 g/m<sup>2</sup>

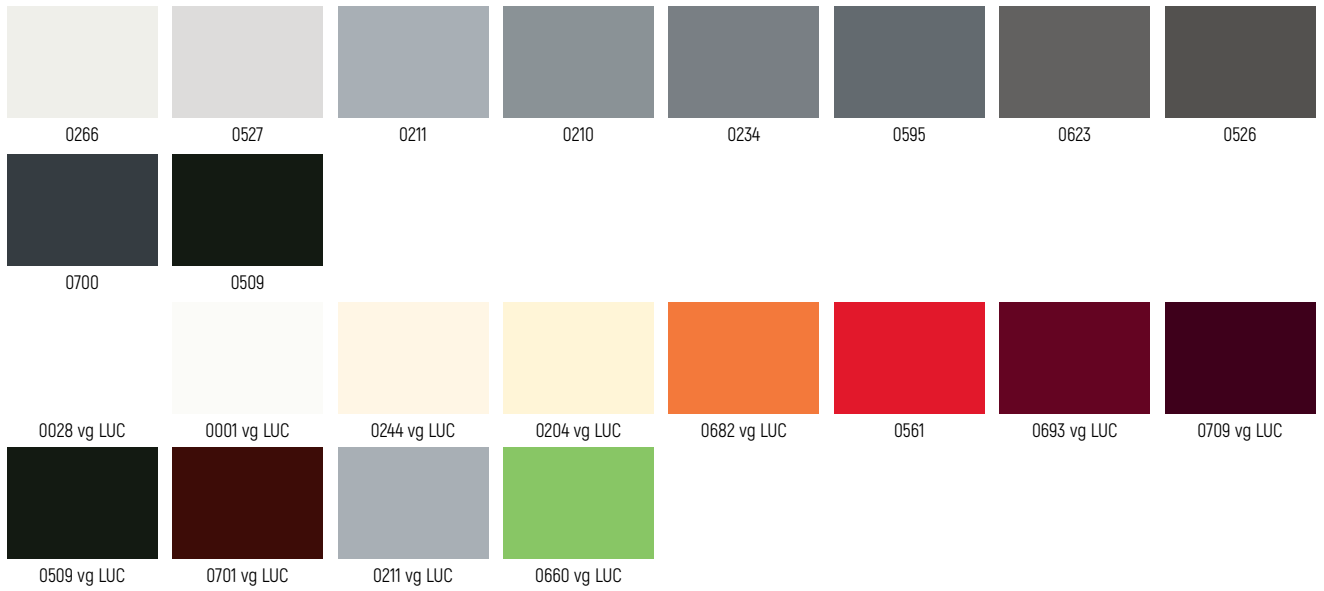
resistance to abrasion - martindale

50.000 cycle



**HPL, laminate thickness 0,9 mm, standard finish Erre (R)**









# LET'S DO BUSSINES TOGETHER

Why not? We're ready if you're ready. Otherwise, let's sit together - if not today, then tomorrow.







**SI.I. srl**

Via dell' Artigianato 36,  
33048 San Giovanni al Natisone (UD) - Italy  
Tel: +39 0432 746 542  
Fax: +39 0432 743 849  
info@sittogether.com  
www.sittogether.com

SitTogether is a trademark of SI.I. srl